

# CCPS1317-LPOIR

Super High Resolution Analogue Bullet Camera,  
3.3 – 12 mm, 960H Technology, Integrated IR Illumination

**VANDERBILT**



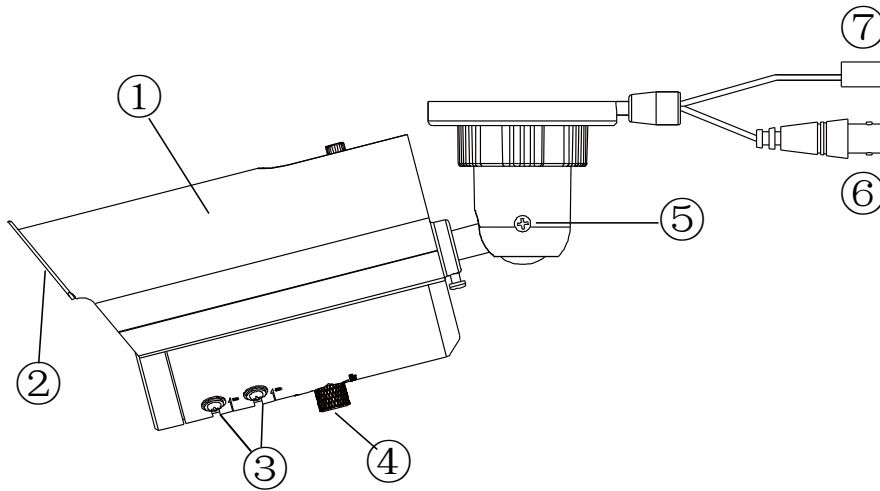
CCPS1317-LPOIR

The camera CCPS1317-LPOIR incorporates an adjustable varifocal lens, integrated IR illumination and outdoor housing with sunshield. The electronic design is based on latest 960H technologies delivering detailed video resolution up to 700 TVL.

The CCPS1317-LPOIR camera features built-in IR illuminators effective up to 25 meters and true day/night function that switches automatically between colour or B/W mode based on ambient illumination to maintain crystal clear images all day long. The integrated OSD setup menu supporting multiple languages allows individual setup of the camera to fulfil all major environmental requirements. A number of advanced features like 2DNR, ATR, HLC, safety cord and power alternative (DC 12V / AC 24V) make the CCPS1317-LPOIR an excellent choice for professional outdoor surveillance and security applications. The CCPS1317-LPOIR comes with an IP 66-rated housing to protect its body against rain and dust.

## Key features include:

- SONY ICX 673/672AKA 1/3" EXview HAD CCD II sensor
- Max. 700 TVL horizontal resolution image quality (960H sensor technology)
- Outstanding performance with low ambience light
- 2DNR, ICR D/N, ATR, BLC
- 4 areas motion detection and 8 privacy zones
- IR distance 25 m (depending on the scene reflectance)
- IP66 rating housing
- Safety cord
- Multi-language OSD
- DC 12 V / AC 24 V  $\pm$  10%



**Legend**

- 1 Camera main body
- 2 Sun shield
- 3 Externally adjustable focal length & focus
- 4 OSD menu joystick
- 5 Mounting bracket
- 6 BNC connector
- 7 Power connector

**Technical data**

**CCPS1317-LPOIR**

<b>Format</b>	PAL
<b>Image System / IC</b>	
Image device	SONY ICX 673AKA 1/3" Exview HAD CCD II (960H)
Pixel elements	Effective pixels: 976 (H) x 582 (V) Total pixels: 1020 (H) x 596 (V)
<b>Optical System</b>	
Focal length	f:3.3 – 12 mm
Lens aperture	F 1.4
Angle of view	Wide: 89.8° (H), 63.6° (V) Tele: 23.9° (H), 17.9° (V)
D/N mechanism	ICR D/N
<b>Electrical Specification</b>	
TV system	2:1 interlace
Video system	PAL
Horizontal resolution	max. 700 TV lines, typ. 650 TV lines
S/N ratio	48 dB (default) > 52 dB by parameter adjustment
Minimum illumination	Model without IR F1.4 @ 50 IRE, 0.2 lux / Model IR, 0 lux (IR on)
Gain control (AGC)	On / Off (selectable)

Synchronization system	Internal / line lock
Electronic shutter	1/50 – 1/100,000 sec
White balance	ATW / Manual / User 2 / User 1 / Push / Push lock / ANTI colour rolling
Gamma compensation	0.45
Back-light compensation (BLC)	Off / BLC / HLC (High Light Compensation) (selectable)
DNR	2D
WDR	Digital WDR
Motion detection	Yes, 4 areas (max.)
Privacy zones	Yes, 8 zones (max.)
OSD	Yes
ATR (similar to WDR)	On / Off (selectable)
Multi-language	Yes (8 languages: English, German, French, Spanish, Portuguese, Russian, Japanese, Simplified Chinese)
<b>Video Output Signal</b>	
Video output	VBS (1 Vpp, 75 Ohm, BNC)
<b>IR</b>	
IR distance	Max. 25 m
IR LED	28 pcs.
IR wavelength	850 nm
IR turn on status	By photocell auto-controlled
<b>Mechanical</b>	
Case material	Metal
Dimensions	83 mm (D) x 205.5 (H)
Waterproof	IP66
Weight	680 g
<b>Power Supply</b>	

Input voltage	DC 12 V / AC 24 V $\pm$ 10%
Power consumption	Max. 7 W
<b>Environment</b>	
Operating temperature	-10 to +50°C
Storage temperature	-20 to +60°C
Relative operating humidity	90% max.
Relative storage humidity	70% max.
<b>Safety Regulations</b>	
CE	Yes

## Details for ordering

Type	Part no.	Designation	Weight*
CCPS1317-LPOIR	V54561-C101-A100	Bullet, 1/3", max. 700 TVL, varifocal lens	Approx. 680 g